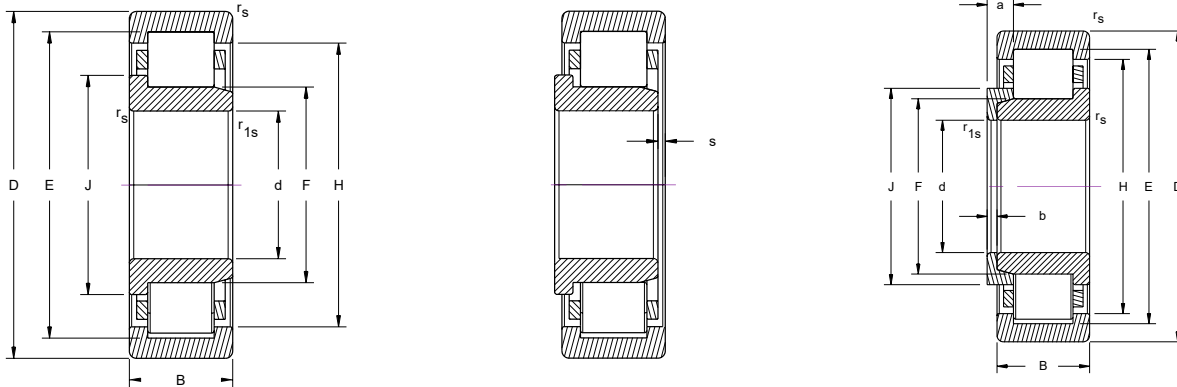


# NJ300E series



Bearing Number	Dimensions (mm)										Load Ratings (lbf)				Limiting Speed (RPM)	Weight (lbs)
	d	D	B	E	F	H	J	a	b	s*	r <sub>s</sub>	r <sub>1s</sub>	Dynamic	Static		
											min	min	Cr	Cor		
NJ303E	17	47	14	40.2	24.2	27.6	27.6	6.4	4.0	1.2	1.0	0.6	4833	3822	16000	0.3
NJ304E	20	52	15	45.5	27.5	31.3	31.3	6.5	4.0	1.0	1.1	0.6	7081	6070	14000	0.3
NJ305E	25	62	17	54.0	34.0	50.6	38.1	7.0	4.0	1.5	1.1	1.1	9330	8430	12000	0.5
NJ306E	30	72	19	62.5	40.5	59.2	45.0	8.5	5.0	1.2	1.1	1.1	11915	11240	10000	0.8
NJ307E	35	80	12	70.2	46.2	66.6	51.0	9.5	6.0	0.6	1.5	1.1	15062	14613	9000	1.1
NJ308E	40	90	23	80.0	52.0	75.9	57.5	11.0	7.0	1.3	1.5	1.5	18434	17985	7500	1.5
NJ309E	45	100	25	88.5	58.5	84.1	64.4	11.5	7.0	1.0	1.5	1.5	22256	22706	6700	2.0
NJ310E	50	110	27	97.0	65.0	92.5	71.3	13.0	8.0	1.7	2.0	2.0	25179	26078	6300	2.5
NJ311E	55	120	29	106.5	70.5	101.4	77.5	14.0	9.0	1.8	2.0	2.0	31024	32372	5600	3.3
NJ312E	60	130	31	115.0	77.0	109.6	84.3	14.5	9.0	1.8	2.1	2.1	34396	36419	5000	4.1
NJ313E	65	140	33	124.5	82.5	118.6	90.5	15.5	10.0	1.5	2.1	2.1	41140	43838	4800	5.1
NJ314E	70	150	35	133.0	89.0	126.8	97.3	15.5	10.0	1.7	2.1	2.1	46535	50807	4500	6.1
NJ315E	75	160	37	143.0	95.0	136.2	104.1	16.5	11.0	1.2	2.1	2.1	54629	60024	4000	7.4
NJ316E	80	170	39	151.0	101.0	143.9	110.4	17.0	11.0	0.7	2.1	2.1	58900	65419	3800	8.8
NJ317E	85	180	41	160.0	108.0	152.7	117.8	18.5	12.0	1.3	3.0	3.0	66993	76660	3600	10.6
NJ318E	90	190	43	169.5	113.5	161.6	124.0	18.5	12.0	1.5	3.0	3.0	71939	80931	3400	12.0
NJ319E	95	200	45	177.5	121.5	169.6	132.0	20.5	13.0	1.4	3.0	3.0	75985	88125	3400	13.9
NJ320E	100	215	47	191.5	127.5	181.9	139.4	20.5	13.0	1.2	3.0	3.0	87451	98691	3200	16.9
NJ322E	110	240	50	211.0	143.0	200.9	155.6	22.0	14.0	1.3	3.0	3.0	103862	121622	3000	23.1
NJ324E	120	260	55	230.0	154.0	218.7	168.7	22.5	14.0	3.5	3.0	3.0	127017	150172	2800	29.8
NJ326E	130	280	58	247.0	167.0	235.2	181.7	23.0	14.0	3.5	4.0	4.0	132637	156017	2600	36.4
NJ328E	140	300	62	264.0	180.0	251.7	195.4	25.0	15.0	5.2	4.0	4.0	146126	179398	2400	45.2
NJ330E	150	320	65	283.0	193.0	269.8	209.4	25.0	15.0	5.5	4.0	4.0	173553	212220	2200	60.0
NJ332E	160	340	68	300.0	204.0	286.0	221.6	25.0	15.0	5.6	4.0	4.0	185467	224809	2000	71.2
NJ334E	170	360	72	318.0	218.0	301.6	237.0	27.0	16.0	6.0	4.0	4.0	211995	264713	2000	85.1
NJ336E	180	380	75	335.0	231.0	319.8	250.5	28.5	17.0	6.1	4.0	4.0	224809	282135	1800	98.3
NJ340E	200	420	80	370.0	258.0	351.8	279.0	30.0	18.0	6.3	5.0	5.0	265275	343958	1600	128.1

\* Permissible axial displacement